

# albedor

wrap around panels

[www.albedor.com.au](http://www.albedor.com.au)

effective 1st july 2017





quality finishes for kitchens, bathrooms and joinery

# wrap around panels

Albedor wrap around panels enable end panels to be wrapped on the return side without any unsightly joins. Wrap Around Panels are available in all finishes and various thicknesses to suit both modern or traditional cabinetry designs.

## Key Features:

- Ideal for Fridge Panels, End Panels and Floating Shelves.
- Available in all colours and finishes including Thermo Formed and Ultra Finish.
- Seamless edges where folded.

## Specifications:

- Substrate is E0 18mm MR MDF (Moisture Resistant Medium Density Fibreboard).
- Manufacturing size Thermo Formed up to 2400mm length.
- Ultra Finish over 2400mm P.O.A.
- Various sizes and thicknesses available.

## General:

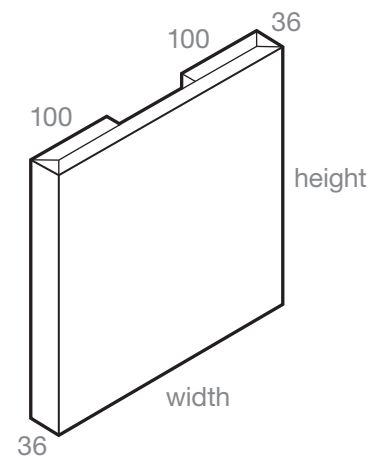
- Manufactured in Victoria.
- 7 Year warranty.

## How to price:

1. Find the appropriate Finish page of the price list
2. Find the appropriate Routing price category
3. Look up the equivalent door size

## Example – wrap both ends

Route	Holly
Finish	Hacienda Black
Panel Size	900mm (h) x 600mm (w) x 36mm
Return length	wrap both ends 100mm
Price as	900 x 872 (width = 600 + 36 + 100 + 36 + 100) +\$104.00 = (4 cuts @ \$26.00 each) E & OE



Please visit the Albedor website  
for current product information – [www.albedor.com.au](http://www.albedor.com.au)

